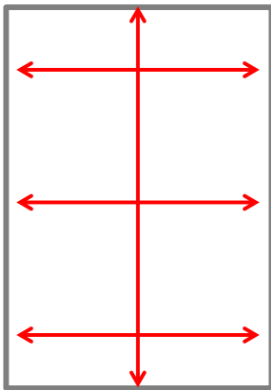


Intu Micro Beadfit Measuring Instructions

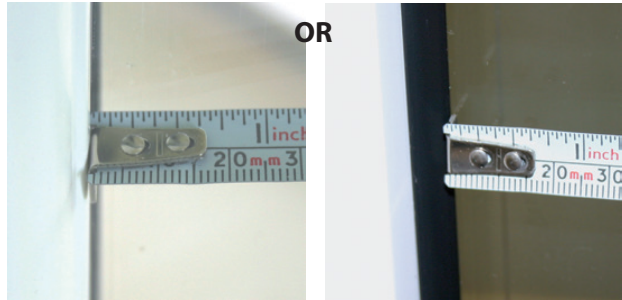


Measure clear glass width and drop

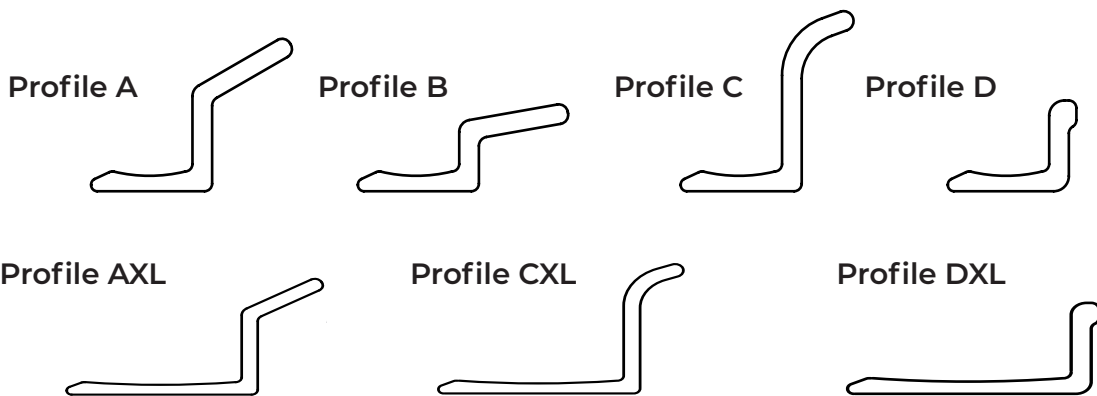
- Min Width - 250mm
- Min Drop - 250mm
- Max Width - 1000mm
- Max Drop - 2400mm
- Max Area - 2 sq m

Measure the visible glass width at 3 different points as shown. Use the smallest measurement as the blind width.

Flush or Recessed Rubber Bead Proud Rubber Bead

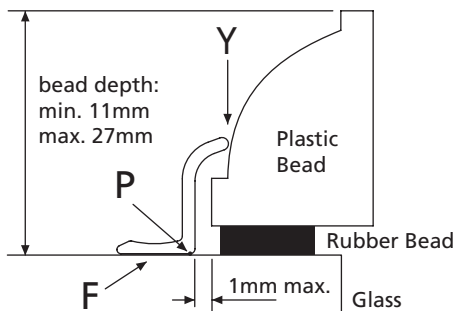


Measuring the window



Side profile

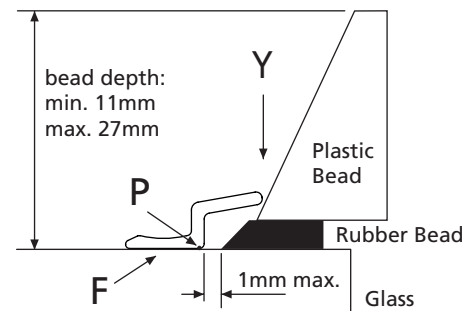
Flush or Recessed Rubber Bead



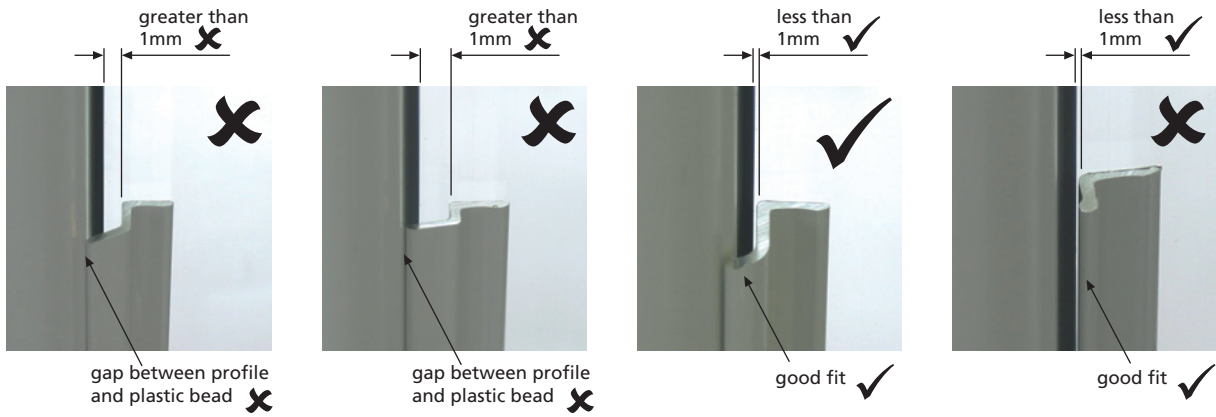
Select side profile that:-

- gives best fit at Y,
- has max. 1mm gap between point P and clear glass size,
- keeps face F flat on glass

Proud Rubber Bead



Rubber bead



Where the gap is greater than 1mm, this size must be deducted from clear glass size (both sides)



All blinds are supplied with bottomrail that has an integrated handle. This moulded handle is simple to use and maintains the stylish appearance of the blind.

Visit our website www.directorderblinds.co.uk/how-to-measure-blinds