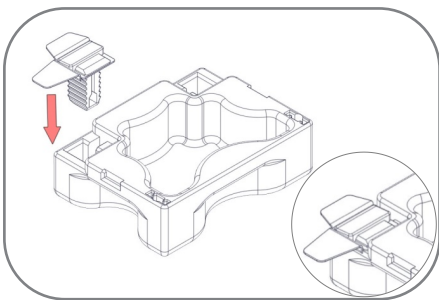


INTU Micro Bead Fit

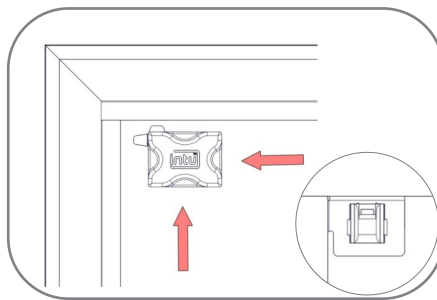
You will need

- INTU Fitting Tool
- INTU Top corner brackets
- INTU Bottom corner brackets
- INTU Retention Clips

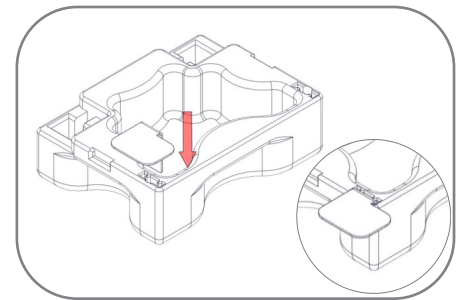
Note: *The above should be supplied with your blind.*



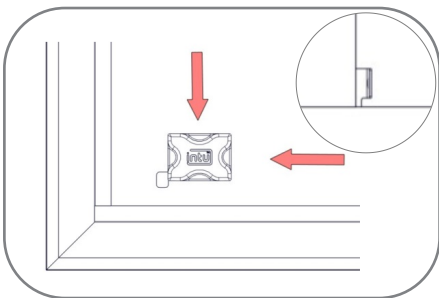
1. Place the top corner bracket into the slot on the fitting tool.



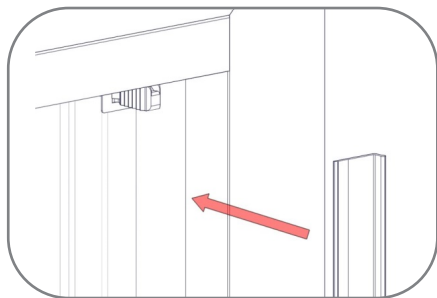
2. Position bracket behind the rubber bead and carefully push until the metal legs are behind the rubber bead. Check bracket is square to the sides of the bead and it is secure. Repeat for other side.



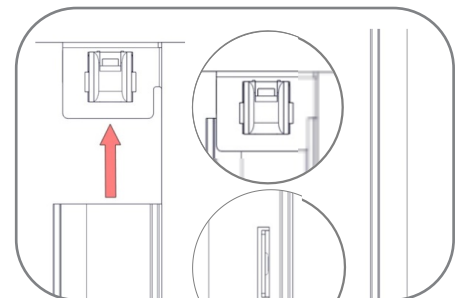
3. Place the bottom corner bracket into the slot on the fitting tool.



4. Position bracket behind the rubber bead and push until the metal leg is behind the bead. Check bracket is parallel to bead and is securely fitted. Repeat for the other side.



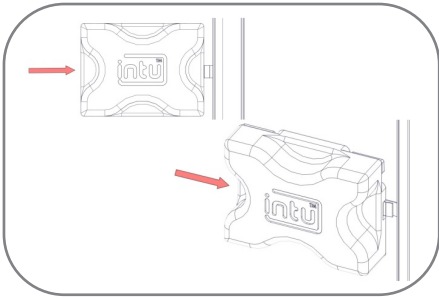
5. Place the flat side of the side extrusion against the glass with the notch to the bottom.



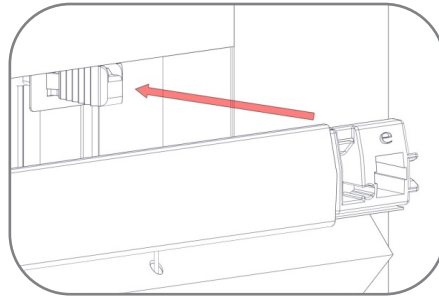
6. Slide the side extrusion up until it slots into the top corner fixing bracket. The side extrusion should rest under the bracket. Push the slot at the base of the extrusion over the bottom corner bracket. Repeat for both sides.

continued...

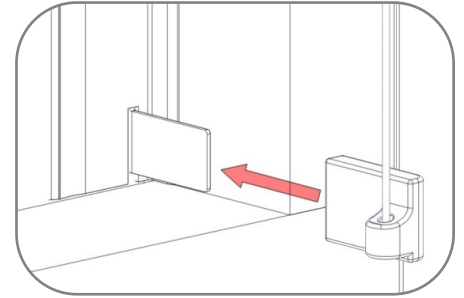
(continued)



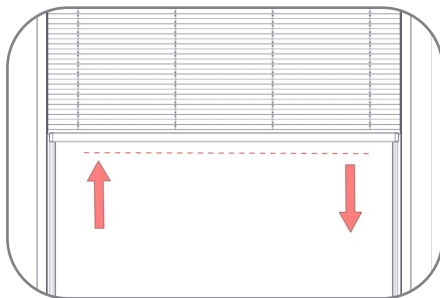
7. At the appropriate position(s) on each side profile, fit retention clips (long side profiles only). Press into position using the fitting tool.



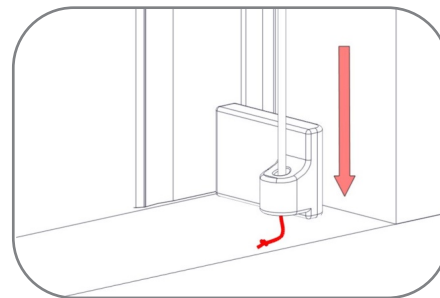
8. Align headrail endcaps with top corner fixing brackets and push fully home.



9. Align bottom button with bottom corner brackets. Slide the bottom button onto the bracket until it locates. Repeat both sides.



10. To align the bottom rail horizontally, simply pull it into the position desired. It will stay in position under tension from the cords.



11. If your blind requires further tension pull the cord through the hole in bottom button until you feel the blind has sufficient tension and tie a fresh knot.

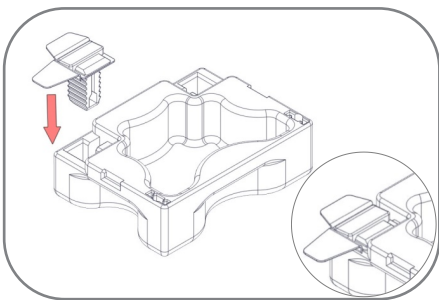


INTU Micro Guided Bead Fit

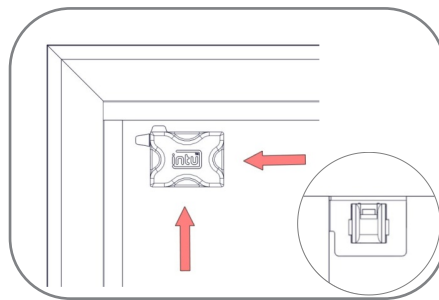
You will need

- INTU Fitting Tool
- INTU Top corner brackets
- INTU Bottom corner brackets

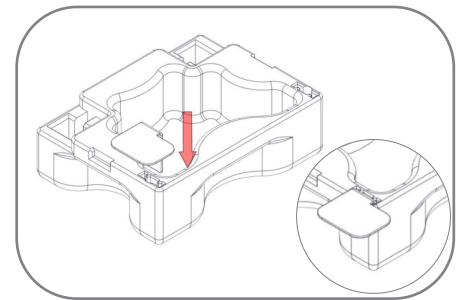
Note: *The above should be supplied with your blind.*



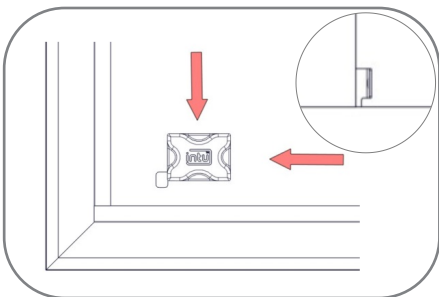
1. Place the top corner bracket into the slot on the fitting tool.



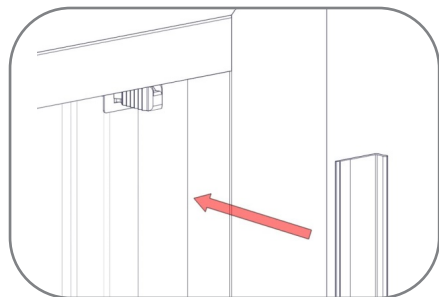
2. Position bracket behind the rubber bead and carefully push until the metal legs are behind the rubber bead. Check bracket is square to the sides of the bead and it is secure. Repeat for other side.



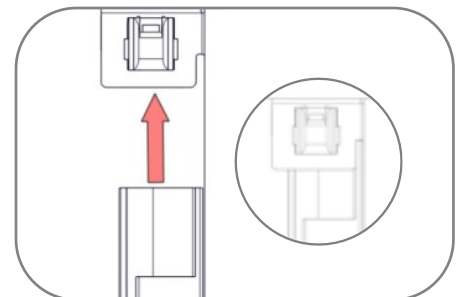
3. Place the bottom corner bracket into the slot on the fitting tool.



4. Position bracket behind the rubber bead and push until the metal leg is behind the bead. Check bracket is parallel to bead and is securely fitted. Repeat for the other side.



5. Ensure the glass is clean and free from debris by cleaning it with glass cleaner. Place the flat side of the side extrusion against the glass with the notch to the bottom.

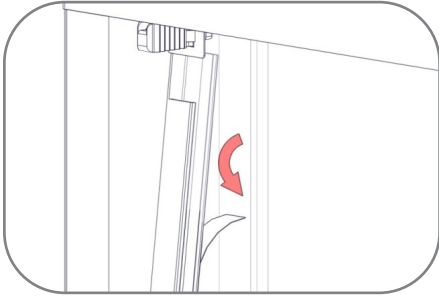


6. Slide the side extrusion up until its slots into the top corner fixing bracket. The side extrusion should rest under the bracket.

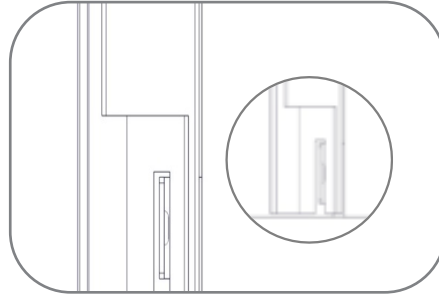
continued...



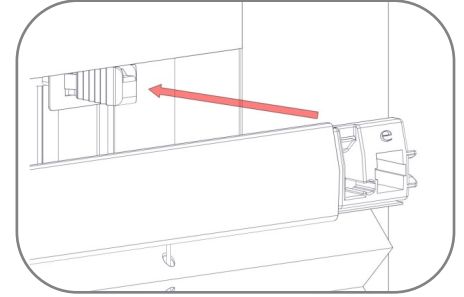
(continued)



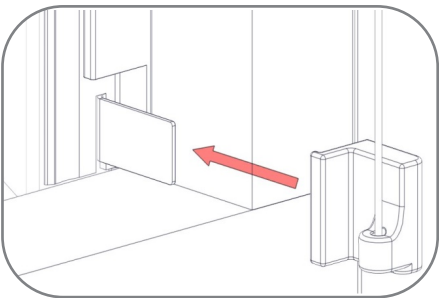
7. Pivot the extrusion towards yourself so you have access to the back. Peel the backing from the glass tape and slowly place the extrusion against the glass.



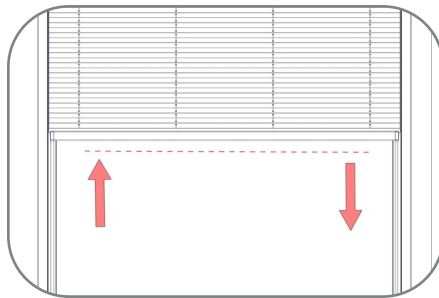
8. Push the slot at the base of the extrusion over the bottom corner bracket. Gently push the extrusion against the glass to ensure tape has adhered. Repeat for both sides.



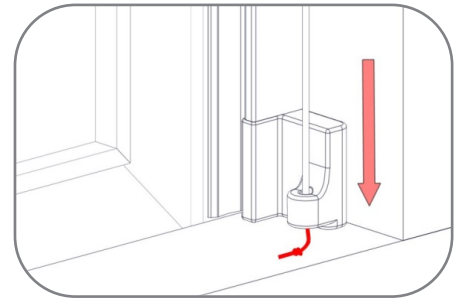
9. Align headrail endcaps with top corner fixing brackets and push fully home.



10. Align bottom button with bottom corner brackets. Slide the bottom button onto the bracket until it locates. Repeat both sides.



11. To align the bottom rail horizontally, simply pull it into the position desired. It will stay in position under tension from the cords.



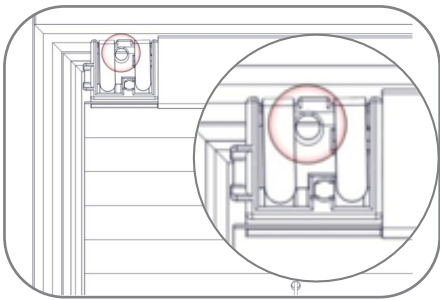
12. If your blind requires further tension pull the cord through the hole in bottom button until you feel the blind has sufficient tension and tie a fresh knot.



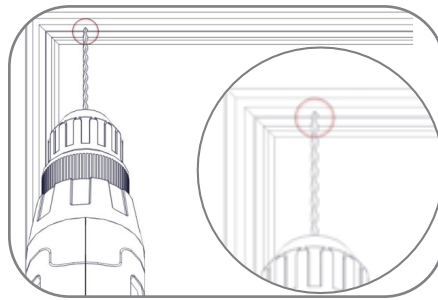
INTU Micro Screw Fit

You will need

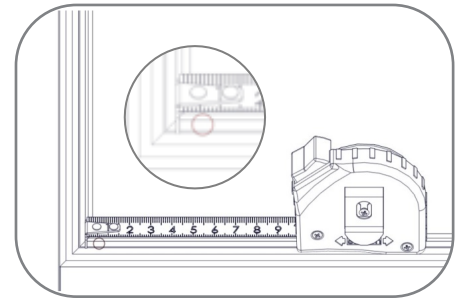
- A drill
- Drill bits - Headrail: 2.5mm - Bottomrail: 3mm, 4mm and 4.5mm
- 1x Phillips screwdriver
- 1x sharp knife or scissors
- 1x pen or pencil (optional)



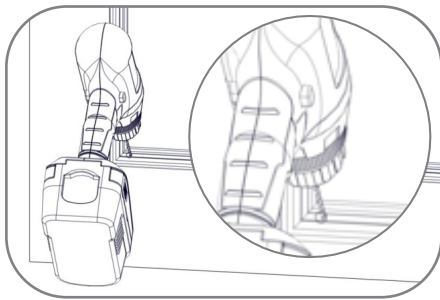
1. Place your blind against the frame of your door or window ensuring the back of the blind is parallel to the glass and the endcap sits comfortably on the bead. Place a small mark where the centre hole of the endcap is. Repeat this for both headrail endcaps.*



2. Using your mark as a guide. Drill into the bead at 45°. Repeat this process on the other side. (2.5mm drill bit).

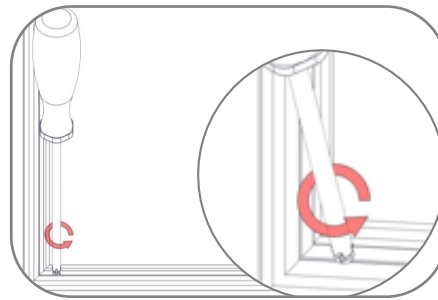


3. Mark 6mm from the bottom corner of the frame. Repeat this on the other side.



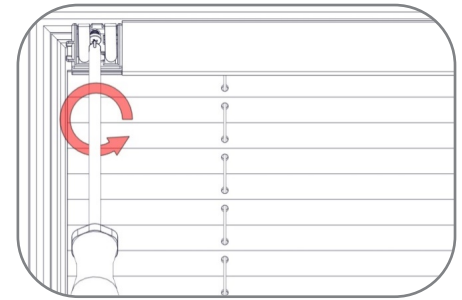
4. Drill as per table:

	ALUMINIUM/PVC	TIMBER
Blind Width < 590mm	2.5mm drill bit	4mm drill bit
Blind Width > 590mm	3mm drill bit	5.5mm drill bit



For wooden beads only

Using a No.1 Phillips screwdriver, screw a brass bush into the pilot hole on the bottom bead. Repeat on the other side.



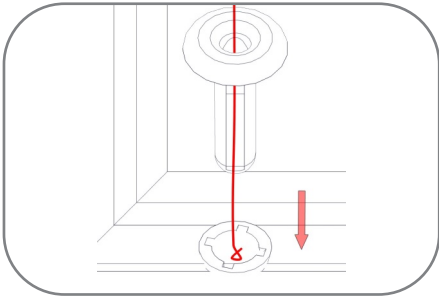
5. Line the blind up with the pilot holes in the top bead. Using the screws provided, screw the blind to the bead of the window/door.

***Note:** If installing into a square bead you will need to mark through the endcap and the right angle adaptor.

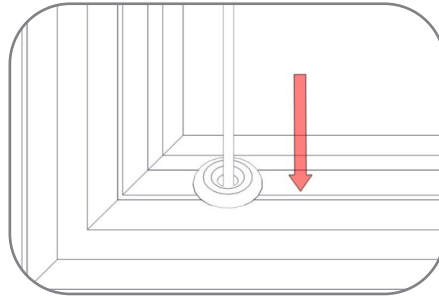
continued...



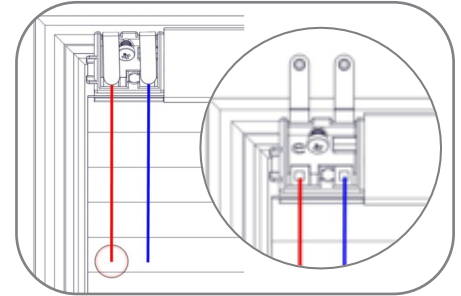
(continued)



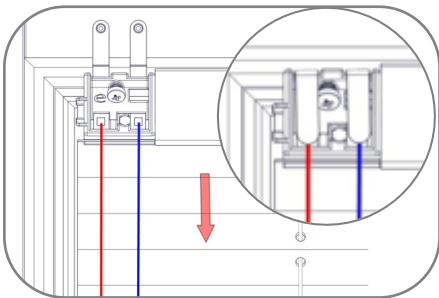
6. Insert the knot(s) on the loose cord into the pilot hole on the bottom bead followed by the bead grommet.



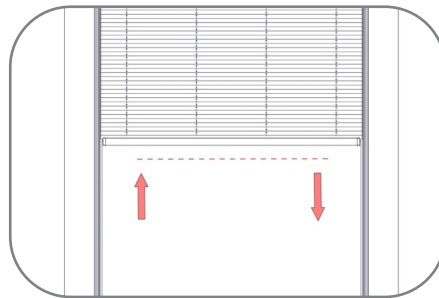
7. To secure the bead grommet ensure the cords are exiting the bead grommet towards you. Push the grommet until it is located fully. The cords should now be secured into the bead.



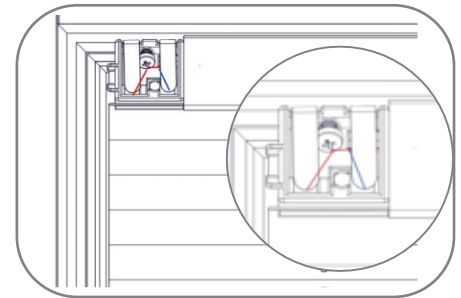
8. To tension blind, firmly hold the dangling cord from the headrail endcap and then open the gate. Repeat on the other side.



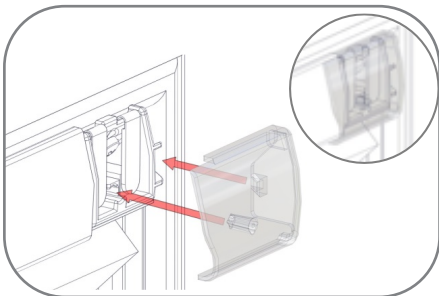
9. Slowly pull the cords until you feel resistance on both cords. Close the gate to secure the cord. Repeat this with all gates.



10. Test the tension by raising the blind, ensure it stays fully raised when released. Repeat the previous 2 steps if required. Ensure bottom bar is straight by adjusting it from side to side.



11. When satisfied with the tension, shorten the cords dangling out of the closed gate to 100mm and pass them through the gap on the side of the endcap to hide them. Repeat on other side.

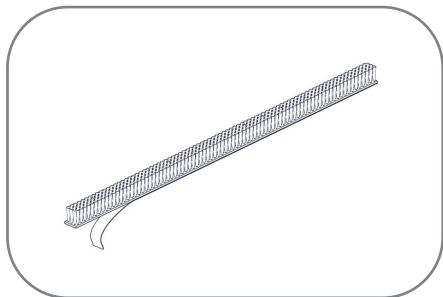


12. Attach endcap cover by aligning the clip on the side with the clip on the endcap. Push the endcap in fully until a click is heard.

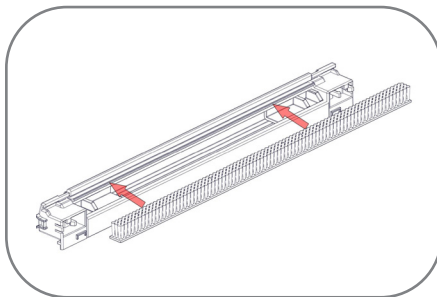


Brush Strip Application:

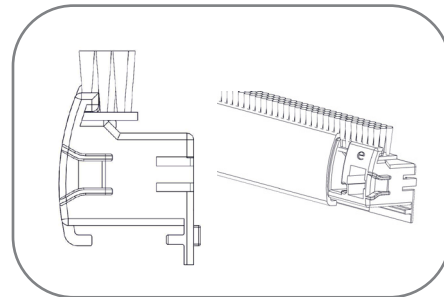
The following steps show the correct method and position for applying the brush strip. It is recommended that the brush strip be used to eliminate any visible light gaps along the top edge of the blind.



1. Remove backing from adhesive strip.



2. Insert brush strip to upper ledge on inside of headrail.



3. Apply pressure to ensure strip adheres to ledge. Brush strip should protrude from top edge of headrail.