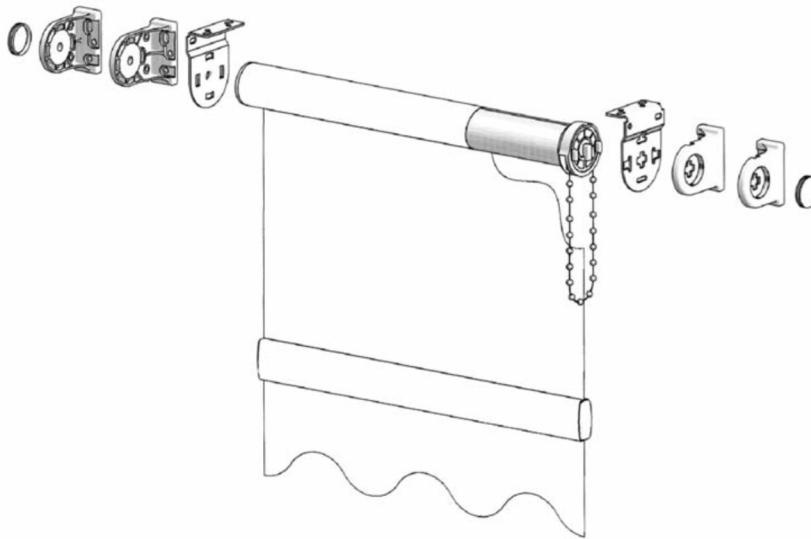




How to fit your new Roller Blind

Fitting the Brackets

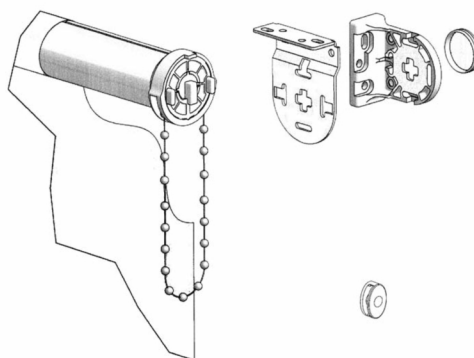
The bracket positions illustrated are for a blind with the control chain on the right hand side of the blind. For a blind with the control chain on the left, the brackets should be at the opposite ends. Brackets can be top, side or face fixed to any flat surface. They must be level to ensure the smooth operation of the blind. Check that the rolled up fabric will not touch any surface. To calculate the spacing between the brackets, add 35mm (1³/₈") to the width of the blind fabric. Fix the brackets so that the outsides of the brackets are this distance apart.



Fitting the Blind

Hold the blind to the brackets with the fabric hanging from the back of the blind. Fit the spring plunger into its bracket and push the blind into the bracket, depressing the plunger. With the locating hook pointing downwards and the chain guard lug at the top, place the hook into the vertical part of the '+' shaped hole in the bracket. Allow the hook to drop downwards so that it locks into place in the bracket.

IMPORTANT Please read the child safety information attached to your blind.



Questions?



just call us

Helpful Guides

phone Local rate: 0845 652 1963