

 DIRECT ORDER **BLINDS**

# How to measure for Perfect Fit Blinds



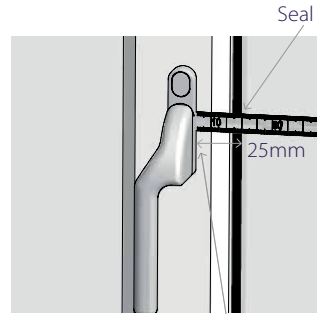
[www.directorderblinds.co.uk](http://www.directorderblinds.co.uk) | 01205 601115 | [sales@directorderblinds.co.uk](mailto:sales@directorderblinds.co.uk)

## Clearance and seals

The Perfect Fit framework requires a minimum of **25mm clearance** all around the window frame. If there are vents or handles at the top or bottom, and 15-24mm clearance between these and the glass, the drop of the blind can be reduced by up to 10mm to give the 25mm clearance required.

For any window bead that exceeds 6mm, check to see if the bead is compressible; if it is you can take a **'bead to bead'** measurement.

If not, then take a **'visible glass size'** measurement.



Check clearance from edge of glass

## Perfect Fit Frame Kit

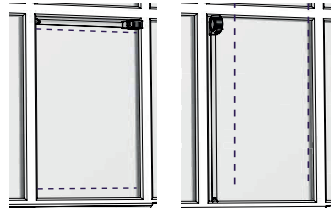


Our Perfect Fit Frame Kit is available to order in the "Blind Parts" section of our website. It allows you check if the Perfect Fit Blind is suitable for your window or door before ordering. The bracket slides between the glass and rubber bead of most uPVC frames. It will also fit to some aluminium frames and windows with foam beading.

## Getting measurements

Measure both the width and the drop accurately in **mm**. We recommend using a steep tape measure.

Measure both corners and the middle and use the smallest measurement taken.

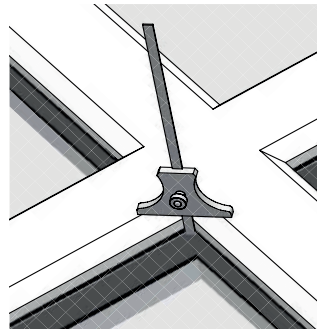


## Beading Depth

Bead depth gives you the measurement from the **face of the window frame to the glass**.

We have a number of different brackets to suit bead depths from 10mm to 42mm, as well as brackets for Velux Windows.

If you do not have a depth gauge, you can also do this by putting a straight edge across the corner of your window and then measuring down to the glass. Something like a credit card will work.



The frame kit allows you to check that you have measured the correct beading depth, if you have enough clearance around your window frame and if you have enough clearance to open your door or window handle. If you don't have enough clearance to open handles - don't worry! You can purchase handle spacers for this!

You can also check the colour of the frame against your windows to ensure it is the perfect match!

Although it is not necessary to buy a frame kit before purchasing your new Perfect Fit blinds, it is a great way to try before you buy if you are unsure if Perfect Fit is the blind for you!