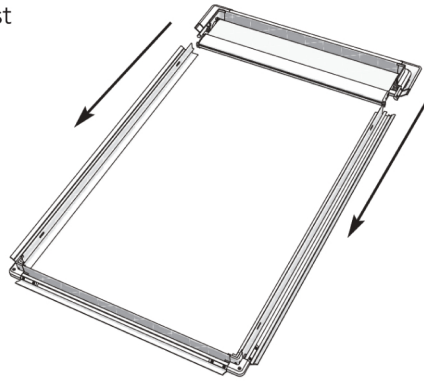
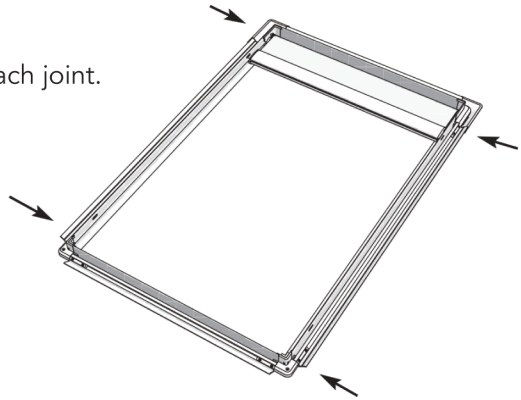


direct order blinds

Slide top of curved section into the rest of the frame, ensuring that end caps are located into the side channel.



Fix securely with the two screws on each joint.



Securing Bottom Bar

Fix one side in position at a slight angle then place the opposite side into position. Please ensure that the bottom bar sits behind the grooving.

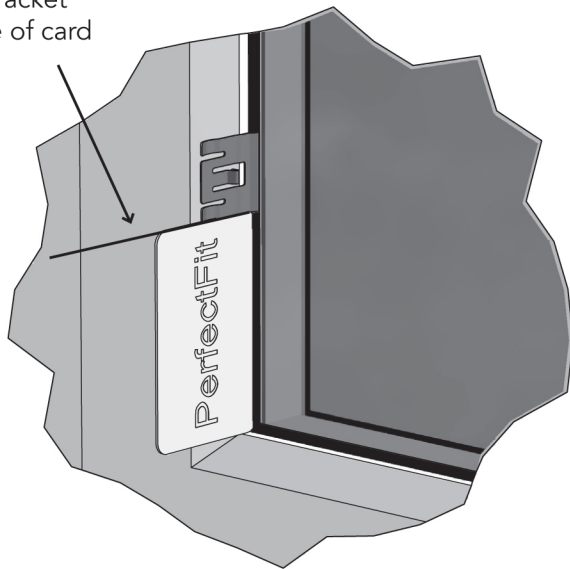


Perfect Fit® Roller Blind Fitting Instructions

To ensure all brackets are in the correct position for fitting (85mm from beading) use a credit card in the corner of the window to locate the bracket position.

For ease of insertion, use a lubricant in the form of washing up liquid on the base of each bracket.

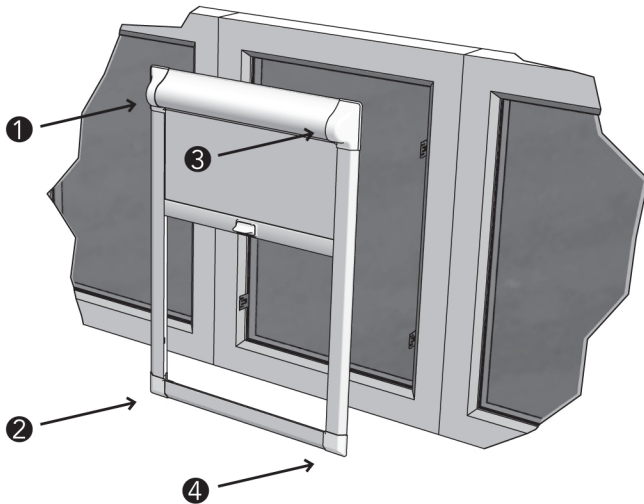
Line up bracket
with edge of card



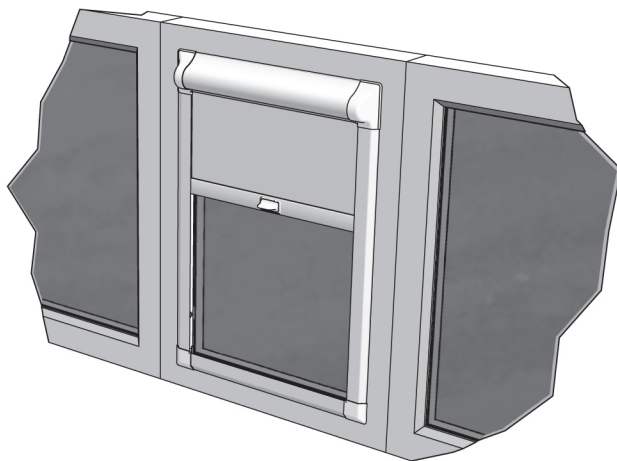
Line up the bracket with the base or top of the credit card (depending on which corner of the window you are working) and fit the bracket by pushing it between the glass and the rubber seal of the window.

Repeat for all 4 corners of the window, and intermediate brackets (if required) then clean excess lubricant prior to fitting the frame.

Line up the holes in the frame with the brackets.



Firmly press the frame down onto each bracket.
Fit one side at a time for an easier installation, 1, 2, 3, 4.

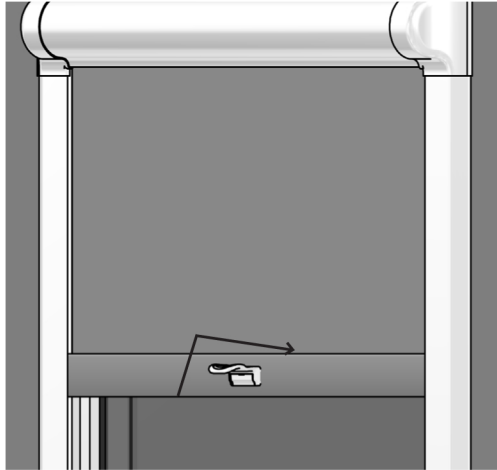


Your blind is now installed.

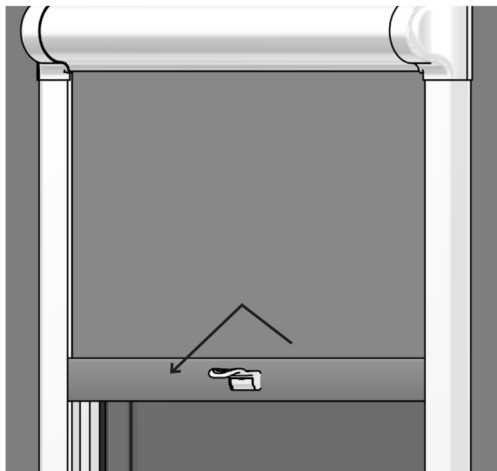


direct orderblinds

To release the blind, rock the handle forwards.
The blind is then free to open and close.

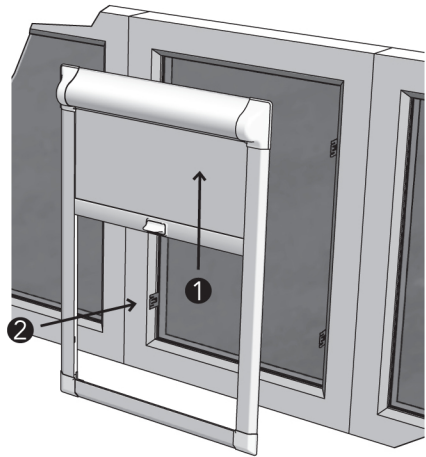


To lock the blind into position, rock the handle backwards.



direct order blinds

- 1 Return blind to the top of the window.
- 2 Remove 1 side at a time by depressing button in the bracket and sliding the frame out.



Adding 'wrap Tension' if required

In order for the fabric to roll up, we need to add 'wrap tension' at the top of the blind.

- 1 Remove bottom bar from grooves in side channel, pull down the blind (do not manually push back up as it needs to raise naturally with the tension).
- 2 Insert a 4mm allen key or angled allen drive attachment (R9002 as shown) into the hexagon slot in the control end.
- 3 Turn 'anti-clockwise' to add tension until the blind starts to lift.
- 4 Tension is complete when the blind is fully opened.

